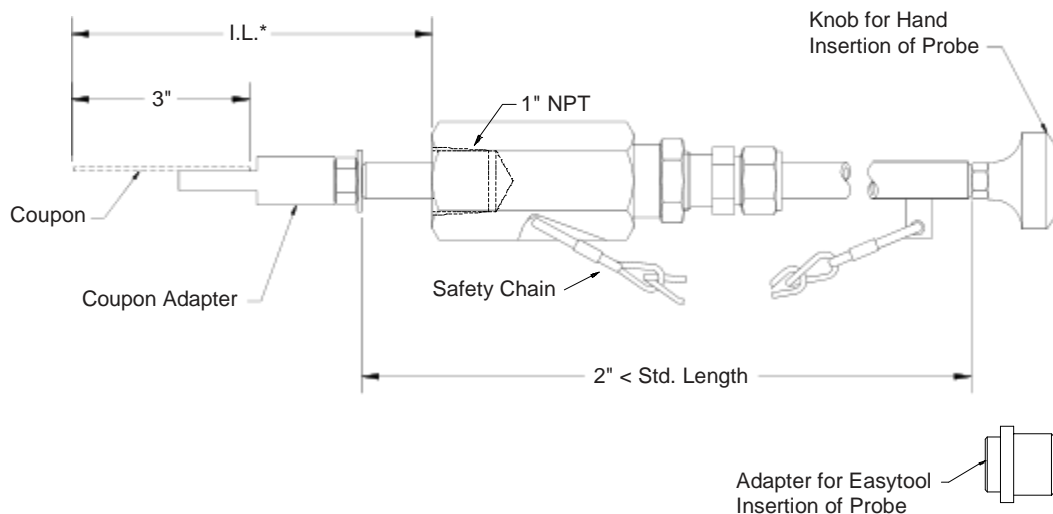


Model RT4000

Coupon Insertion System Retractable with Packing Gland



Model RT4000 coupon insertion system is a retractable unit commonly used in field and plant applications. A specially designed packing gland is used to insert or retract a coupon from a pressurized system without a process shutdown. The insertion system is designed to mount onto a 1" piping system, but can easily be adapted to fit your specific requirements. The system consists of an insertion rod with a coupon adapter, and a packing gland. A safety chain and safety nut are also provided to prevent blowout. Standard packing material in the packing gland is Teflon®, however, grafoil packing can be provided for high temperature applications. (Special consideration must be given to the insulator material selection for high temperature applications. Contact our sales department for assistance.) Several coupon holders and lengths are available. *The insertion length (I.L.) shown here is based on a standard Metal Samples Corrosion Monitoring Systems part #CO118 coupon and may vary for other coupons depending on the coupon length and hole location.

Specifications:

Body - 316 Stainless Steel

Temperature Rating - 500°F / 260°C - Teflon®
850°F / 454°C - Grafoil

Pressure Rating - 1500 PSI / 102 Bar

Mounting - 1" Full Port Valve (Min.)

Std. Length	I.L. (Max.)
42" "	18.54
03" "	24.54
63" "	30.54
24" "	36.54

The Easy Tool is required for probe insertion or retraction in systems with pressure over 150 pounds.

Metal Samples Corrosion Monitoring Systems

A Division of Alabama Specialty Products, Inc.

152 Metal Samples Rd., Munford, AL 36268 Phone: (256) 358-4202 Fax: (256) 358-4515

E-mail: msc@alspi.com Internet: www.metalsamples.com

Houston Office: 8811 Kensington Court, LaPorte, TX 77571 Phone: (281) 471-2777 Fax: (281) 471-3405

RT4000 Ordering Information

Model					
RT45	Retractable Coupon Insertion System 1" Female NPT, Packing Gland with Teflon®				
RT75	Retractable Coupon Insertion System 1" Female NPT, Packing Gland with Grafoil				
RT00	Retractable Coupon Insertion System Replacement Insertion Rod				
Insertion Rod & Mounting Material					
20	316 (when ordering only Insertion Rod - RT00)				
22	316				
40	C276 (when ordering only Insertion Rod - RT00)				
44	C276				
Coupon Options					
010	Fits P/N CO100				
030	Fits P/N CO118				
040	Fits P/N ES200 (Cylindrical Coupons)				
050	Fits P/N CO111				
060	Fits P/N CO220				
Length					
24	18.54 inches max. insertion length				
30	24.54 inches max. insertion length				
36	30.54 inches max. insertion length				
42	36.54 inches max. insertion length				
Coupon Adapter and Insulators					
1	Coupon adapter same material as rod, Teflon® insulators				
2	Teflon® coupon adapter, Teflon® insulators				
3	Coupon adapter same material as rod, ceramic insulators				
4	Coupon adapter same material as rod, nylon insulators				
5	Nylon coupon adapter, nylon insulators				
6	Coupon adapter same material as rod, no insulators				
RT45	22	030	24	1	Example of Probe Ordering #

For alloys, sizes, or other special requirements not listed, contact our sales department.